

FUSED FORM P1000

P 1000 PELLET 3D PRINTER

Large Format - Pellet Extruder

DESIGNED BY
FUSED FORM

FUSED FORM

P1000

FUSED FORM

OUR VALUE PROPOSITION

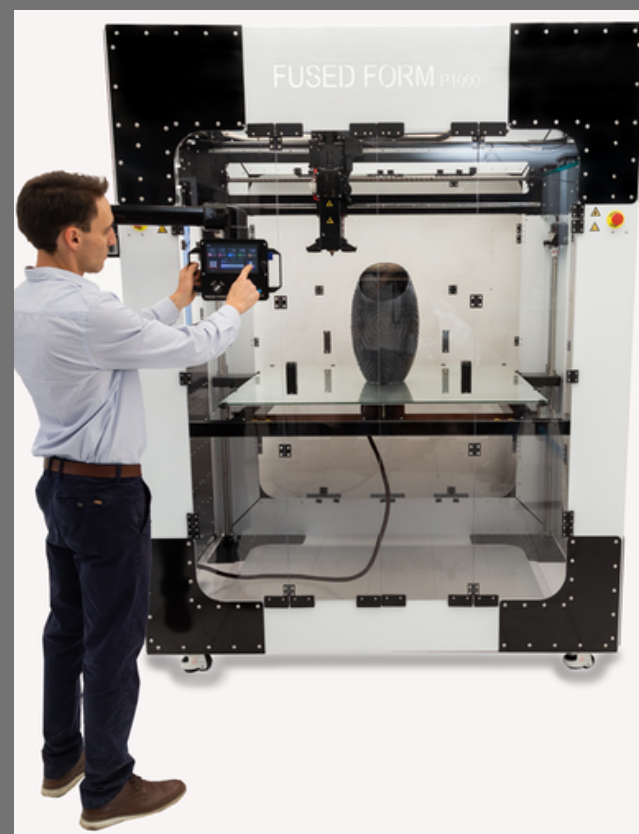
Thanks to our **careful selection** of extruder screw size, our machines offer a perfect match between both filament and pellet 3D Printing worlds: high printing speeds, low material cost, high versatility in materials, colorants and additives, and **great** printing quality

ENCLOSED

The enclosed system helps print high warping materials, enabling even more its material possibilities

KEEP IT SIMPLE, HIGH PERFORMING

Our machines have been carefully designed for high component packaging (low overall machine volume), high systems simplicity (easy operation and maintenance), high performance and reliability.



P1000

General specifications	
Effective printing volume:	110 x110 x130 cm
Machine dimensions (W x D x H):	180 x 140 x 230 cm
Weight:	800 kg
Speed:	300 mm/s

Temperature	
Max bed temperature:	120°C
Extruder maximum temperature:	300°C

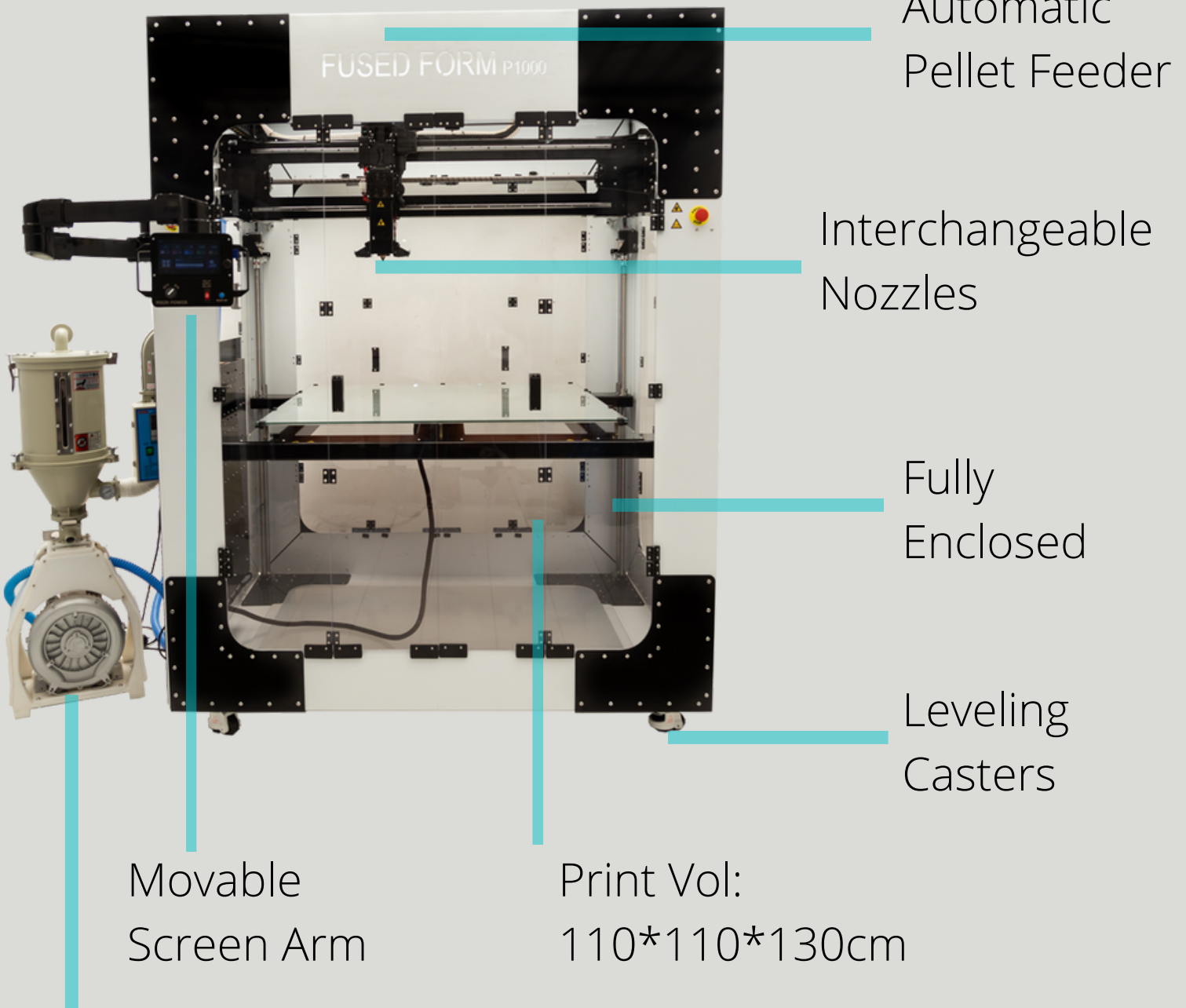
Extruder characteristics	
Industrial screw diameter:	12mm and 16mm
Screw and barrel material:	38CrMoA1A
Nozzle output diameter:	Interchangeable nozzles of: 0.4, 0.5, 0.6, 0.8, 1.0, 1.2, 1.75 mm Adaptable for other nozzle diameters
Sensors:	*Pellet runout detection *Automatic pellet feeding system
Throughput:	400 gr/hr. *May increase according to melt flow index of material *May vary according to nozzle diameter and material flow

P1000

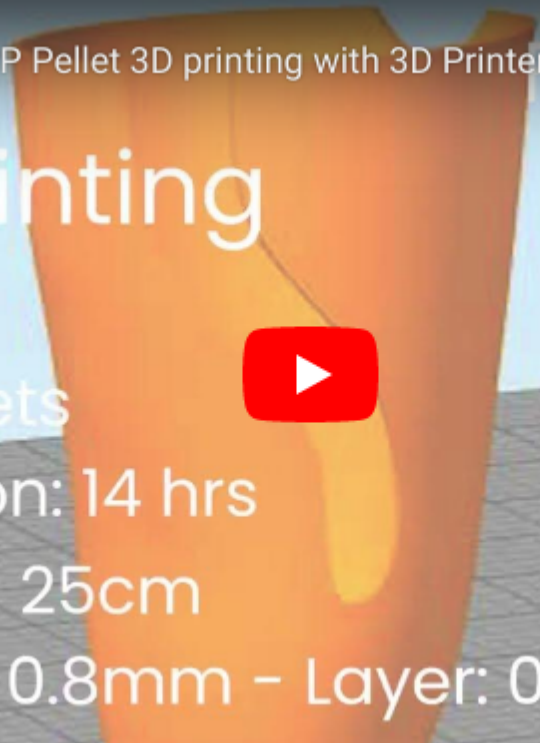
Power Requirements	
Power Requirements - 3D Printer:	208V AC 50/60Hz 4.500W
Power Requirements - Dryer:	208V AC 50/60Hz 2.000W Independent connector



Includes	
Wifi:	Remote printer control and monitoring by camera via Octoprint
Slicer:	Simplify 3D (license included), Cura
Support:	Unlimited assistance via email or virtual conference.

P 1000 3D PRINTER




SEE IT 3D PRINTING



 Large format PP Pellet 3D printing with 3D Printer FF- P1000 

3D Printing

- *PP Pellets
- *Duration: 14 hrs
- *Height: 25cm
- *Nozzle: 0.8mm - Layer: 0.15mm

Watch on  YouTube

Sales contact:

Lissy Rodríguez

lissy.rodriguez@fusedformcorp.com

+57 3103414716

Bogotá - Colombia

FUSED / FORM

Empowering Bright *ideas*